



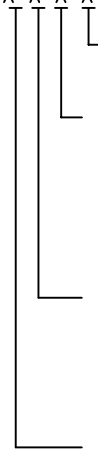
Tous droits strictement reserves. Reproduction ou communication a des tiers interdite sous quelque forme que ce soit sans autorisation écrite du propriétaire. Propriete de c FCI. Droits de reproduction FCI.

All rights strictly reserved. Reproduction or issue to third parties in any form whatever is not permitted without written authority from the proprietor. Property of FCI. Copyright FCI.



FCI

PRODUCT NO. *95706-XXX	STAND OFF DIM "M"(mm)	SOLDER TAIL	DIM "P" (mm)	SHEET NO.	MOUNTING STYLE TO PCB
000	0	R/A	2.8	NO.2	TOP MOUNT 95706-0XX BLACK COLOR 
000LF	0	R/A	2.8		
001	0	SMT STAGGERED	—#—		
002	0	SMT IN LINE	—#—		
010	4	R/A	2.8	NO.3	
020	5	R/A	2.8		
040	2	R/A	2.5		
010LF	4	R/A	2.8		
020LF	5	R/A	2.8		
040LF	2	R/A	2.5		
500	0	R/A	2.8	NO.4	BOTTOM MOUNT 95706-5XX NATURAL (WHITE) COLOR 
500LF	0	R/A	2.8		
501	0	SMT STAGGERED	—#—		
502	0	SMT IN LINE	—#—		
510	4	R/A	2.8	NO.5	
520	5	R/A	2.8		
540	2	R/A	2.5		
510LF	4	R/A	2.8		
520LF	5	R/A	2.8		
540LF	2	R/A	2.5		

\*95706-X X X X



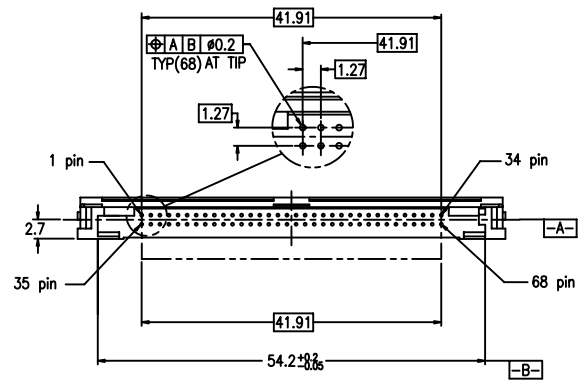
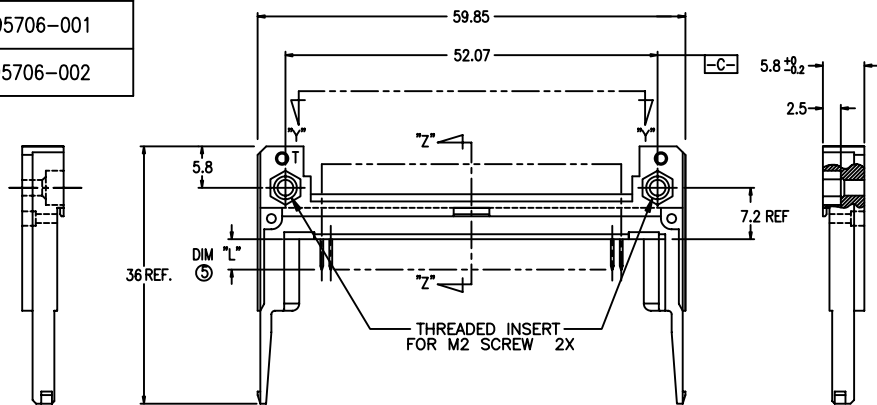
- LEAD FREE LF
- SOLDER TAIL
  - 0 : R/A (FOR LOWER & SINGLE)
  - 1 : SMT STAGGERED (FOR LOWER ONLY)
  - 2 : SMT IN LINE (FOR LOWER ONLY)
  - 5 : R/A (FOR UPPER ONLY)
- STAND OFF
  - 0 : 0mm
  - 1 : 4mm
  - 2 : 5mm
  - 4 : 2mm
- MOUNTING STYLE
  - 0 : TOP MOUNTING
  - 5 : BOTTOM MOUNTING

mat'l. code				tolerances unless otherwise specified		CUSTOMER COPY	 Electronics FCI www.fciconnect.com		
ltr	ecn no	dr	date	linear	.X±.3			projection	title
A	V00549	SSD	7/20/95		.XX±.13		68 POS. EJECTOR HEADER ASSY. FOR LOW VOLTAGE		
B	V00619	RGD	3/30/00	angles	.XXX±.051			product family	MCS
C	N05-0048	WB	05/29/03		0' ±2'	MM	code		
				dr	S.DUESTERHOEFT 7/20/95	scale	A4		
				enr	D.BRANN 7/20/95			size	dwg no
				chr	D.BRANN 7/20/92			95706	sheet
				appd	D.BRANN 7/20/95	1:1	1 of 5		
sheet index	revision sheet	C	C	C	C	C			
		1	2	3	4	5			

Tous droits strictement reserves. Reproduction ou communication a des tiers interdite sous quelque forme que ce soit sans autorisation ecrite du proprietaire. Propriete de c FCI. Droits de reproduction FCI.

All rights strictly reserved. Reproduction or issue to third parties in any form whatever is not permitted without written authority from the proprietor. Property of FCI. Copyright FCI.

PRODUCT NO.
95706-000/000LF
95706-001
95706-002

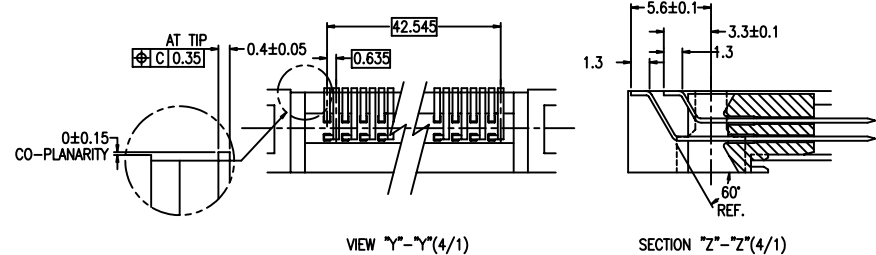
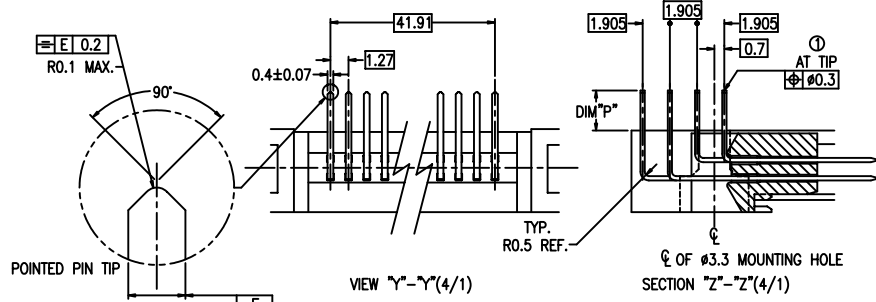


NOTES

- TRUE POSITION IS A FREE GRID TO PIN PATTERN ITSELF
- SEE TA-946 FOR PCB LAYOUT
- MATERIAL  
HOUSING : LCP UL94V-0 BLACK  
PIN : PHOSPHOR BRONZE
- FINISH  
PIN  
UNDER PLATING : 0.5µm MIN. Ni  
CONTACT AREA : 0.1µm MIN. Au  
OVER 0.5µm MIN. Pd-Ni  
SOLDER AREA(TIN LEAD OPTION): 2.5µm MIN. Sn-Pb  
SOLDER AREA(LEAD FREE OPTION): 2.5µm MIN. PURE TIN
- SEQUENCE PIN ASSIGNMENT

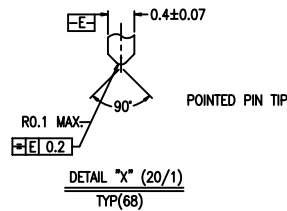
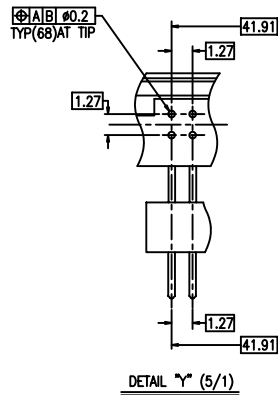
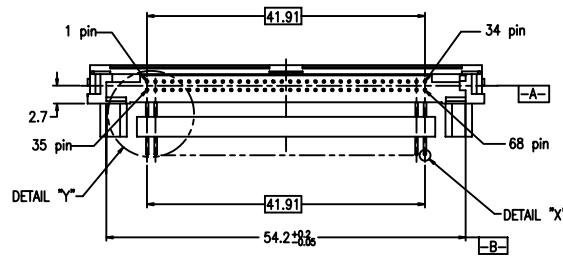
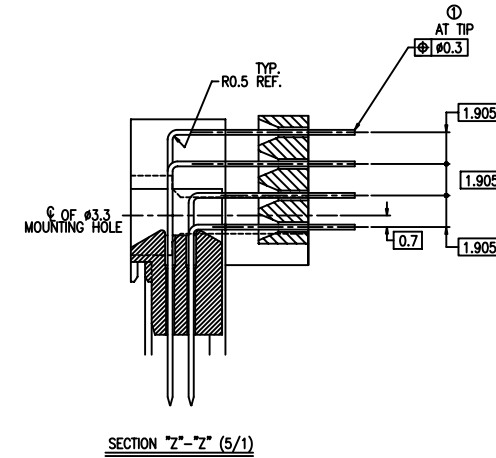
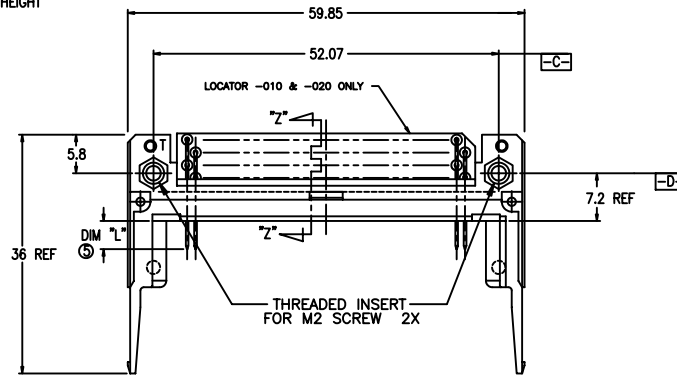
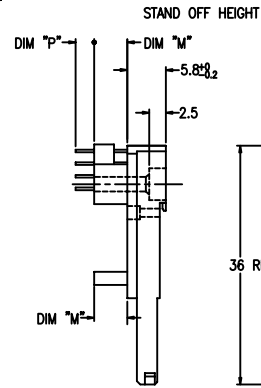
PIN No.	DIM "L"		
	4.25±0.1	3.5±0.1	5.0±0.1
OTHERS	36.67	17.34	35.51.68

- GENERAL TOLERANCE : ±0.3
- IF LEAD FREE P/N. THE HOUSING WILL WITHSTAND EXPOSURE TO 260°C PEAK TEMPERATURE  
SOLDER TAIL : SMT-IL, SMT-STG CAN RESIST 40 SECONDS IN A CONVECTION, INFRA-RED OR VAPOR PHASE REFLOW OVEN.  
SOLDER TAIL : R/A CAN RESIST 10 SECONDS IN A WAVE SOLDER APPLICATION WITH A 1.00MM MINIMUM THICK CIRCUIT BOARD.
- IF LEAD FREE P/N PACKAGING MEETS GS-14-920 SPECIFICATION



mat'l. code				tolerances unless otherwise specified		CUSTOMER COPY		 Electronics www.fciconnect.com	
ltr	ecn no	dr	date	linear	.X±.3		projection	title	
C					.XX±.13			 MM	68 POS. EJECTOR HEADER ASSY. FOR LOW VOLTAGE
				angles	.XXX±.051		scale		product family
				dr	0° ±2'			1:1	MCS
				enr	S.DUESTERHOEFT 7/20/95		A4		code
				chr	D.BRANN 7/20/95			95706	-
				appd	D.BRANN 7/20/95		2 of		sheet
sheet index	revision sheet								

PRODUCT NO.
95706-010/010LF
95706-020/020LF
95706-040/040LF



NOTES

- ① TRUE POSITION IS A FREE GRID TO PIN PATTERN ITSELF.
- ② SEE TA-946 FOR PCB LAYOUT.
- ③ MATERIAL  
HOUSING : LCP UL94V-0 BLACK.  
PIN : PHOSPHOR BRONZE.
- ④ FINISH  
PIN  
UNDER PLATING : 0.5µm MIN. Ni.  
CONTACT AREA : 0.1µm MIN. Au.  
OVER 0.5µm MIN. Pd-Ni.  
SOLDER AREA(TIN LEAD OPTION): 2.5µm MIN. Sn-Pb  
SOLDER AREA(LEAD FREE OPTION): 2.5µm MIN. PURE TIN
- ⑤ SEQUENCE PIN ASSIGNMENT

PIN No.	DIM "L"		
	OTHERS	36.67	35.51±0.08
	4.25±0.1	3.5±0.1	5.0±0.1

- 6 GENERAL TOLERANCE : ±0.3
- 7 IF LEAD FREE P/N. THE HOUSING WILL WITHSTAND EXPOSURE TO 260°C PEAK TEMPERATURE  
SOLDER TAIL : SMT-IL, SMT-STG CAN RESIST 40 SECONDS IN A CONVECTION, INFRA-RED OR VAPOR PHASE REFLOW OVEN.  
SOLDER TAIL : R/A CAN RESIST 10 SECONDS IN A WAVE SOLDER APPLICATION WITH A 1.00MM MINIMUM THICK CIRCUIT BOARD.
- 8 IF LEAD FREE P/N PACKAGING MEETS GS-14-920 SPECIFICATION

Tous droits strictement reserves. Reproduction ou communication a des tiers interdite sous quelque forme que ce soit sans autorisation ecrite du proprietaire. Propriete de c FCI. Droits de reproduction FCI.

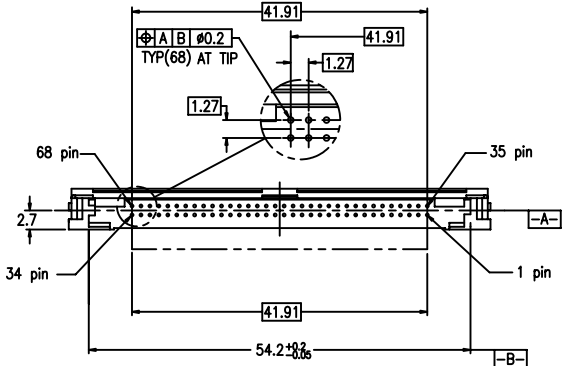
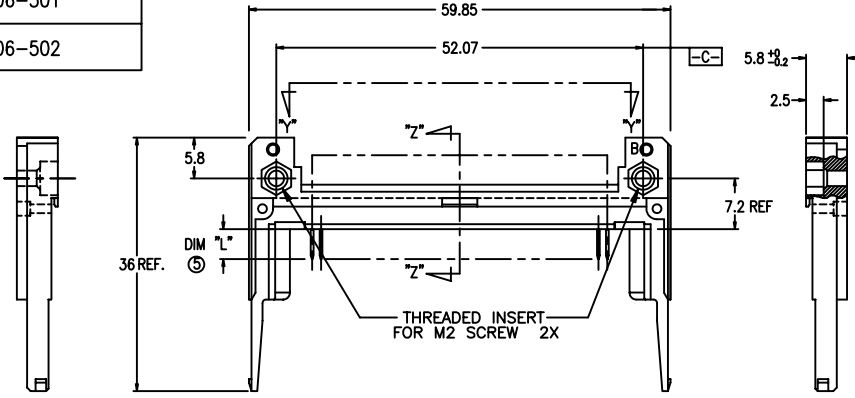
All rights strictly reserved. Reproduction or issue to third parties in any form whatever is not permitted without written authority from the proprietor. Property of FCI. Copyright FCI.

mat'l. code		tolerances unless otherwise specified		CUSTOMER COPY		 Electronics www.fciconnect.com		
ltr	ecn no	dr	date	linear	projection	title		
C						68 POS. EJECTOR HEADER ASSY. FOR LOW VOLTAGE		
						product family MCS		code
				angles	 MM	size dwg no		
				dr		A4		sheet
				enr	scale	95706		
				chr		3 of		
				appd				
sheet index	revision sheet							

Tous droits strictement reserves. Reproduction ou communication a des tiers interdite sous quelque forme que ce soit sans autorisation ecrite du proprietaire. Propriete de c FCI. Droits de reproduction FCI.

All rights strictly reserved. Reproduction or issue to third parties in any form whatever is not permitted without written authority from the proprietor. Property of FCI. Copyright FCI.

PRODUCT NO.
95706-500/500LF
95706-501
95706-502

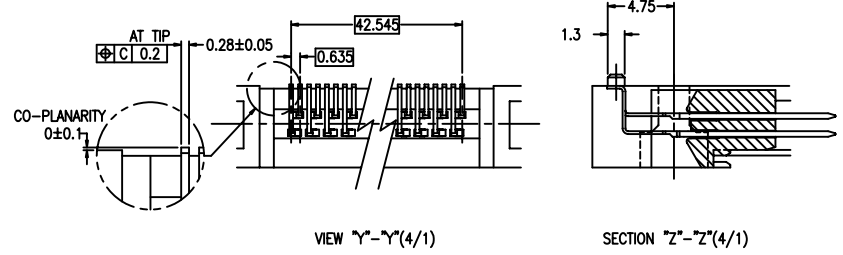
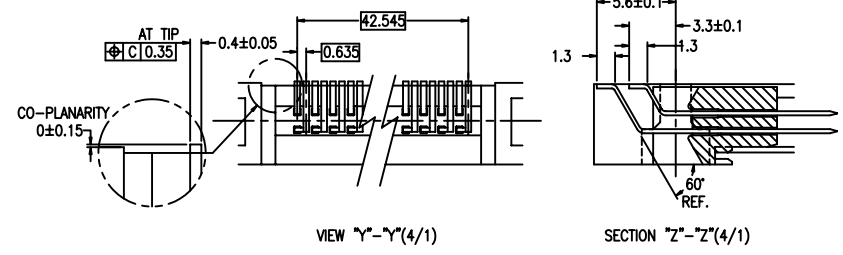
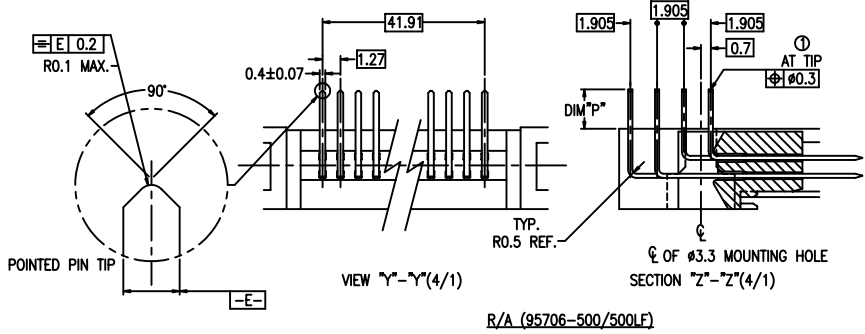


NOTES

- TRUE POSITION IS A FREE GRID TO PIN PATTERN ITSELF
- SEE TA-946 FOR PCB LAYOUT
- MATERIAL  
HOUSING : LCP UL94V-0 NATURAL  
PIN : PHOSPHOR BRONZE
- FINISH  
PIN  
UNDER PLATING : 0.5µm MIN. Ni  
CONTACT AREA : 0.1µm MIN. Au  
OVER 0.5µm MIN. Pd-Ni  
SOLDER AREA(TIN LEAD OPTION): 2.5µm MIN. Sn-Pb  
SOLDER AREA(LEAD FREE OPTION): 2.5µm MIN. PURE TIN
- SEQUENCE PIN ASSIGNMENT

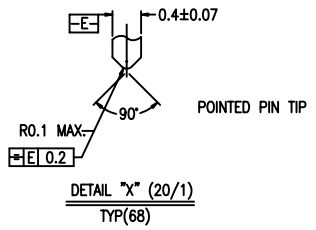
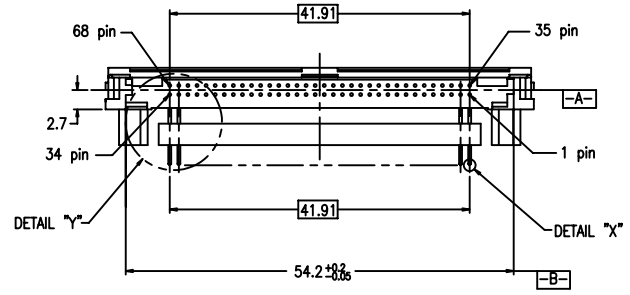
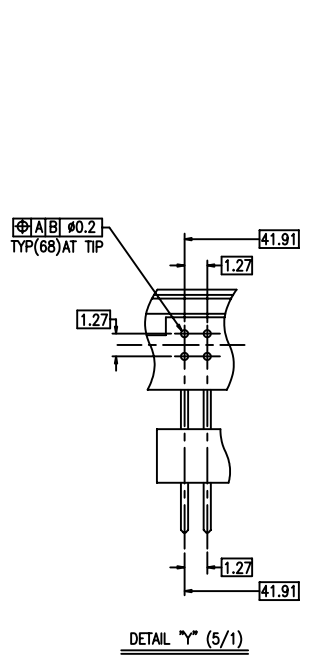
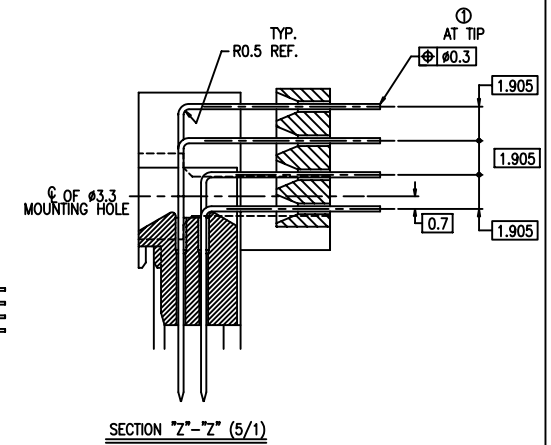
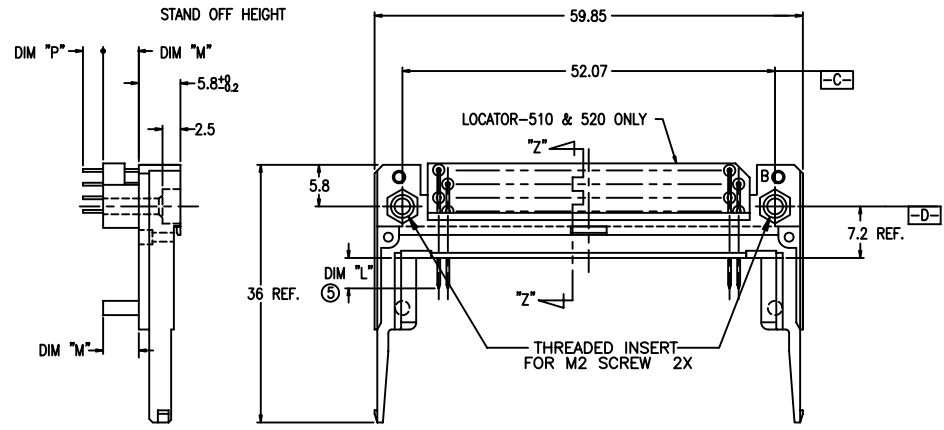
PIN No.	DIM "L"		
	4.25±0.1	3.5±0.1	5.0±0.1
OTHERS	36.67	1.77, 34	35.51, 68

- GENERAL TOLERANCE : ±0.3
- IF LEAD FREE P/N. THE HOUSING WILL WITHSTAND EXPOSURE TO 260°C PEAK TEMPERATURE  
SOLDER TAIL : SMT-IL, SMT-STG CAN RESIST 40 SECONDS IN A CONVECTION, INFRA-RED OR VAPOR PHASE REFLOW OVEN.  
SOLDER TAIL : R/A CAN RESIST 10 SECONDS IN A WAVE SOLDER APPLICATION WITH A 1.00MM MINIMUM THICK CIRCUIT BOARD.
- IF LEAD FREE P/N PACKAGING MEETS GS-14-920 SPECIFICATION



mat'l. code		tolerances unless otherwise specified		CUSTOMER COPY		 Electronics www.fciconnect.com	
ltr	ecn no	dr	date	linear	.XX±.13	projection	title
C				angles	.XXX±.051		68 POS. EJECTOR HEADER ASSY. FOR LOW VOLTAGE
				dr	S.DUESTERHOEFT 7/20/95	MM	product family MCS
				enr	D.BRANN 7/20/95		code
				chr	D.BRANN 7/20/92	scale	size dwg no
				appd	D.BRANN 7/20/95	1:1	A4 95706
sheet index	revision sheet						sheet 4 of

PRODUCT NO.
95706-510/510LF
95706-520/520LF
95706-540/540LF



NOTES

- ① TRUE POSITION IS A FREE GRID TO PIN PATTERN ITSELF
  - ② SEE TA-946 FOR PCB LAYOUT
  - ③ MATERIAL  
HOUSING : LCP UL94V-0 NATURAL  
PIN : PHOSPHOR BRONZE
  - ④ FINISH  
PIN  
UNDER PLATING : 0.5µm MIN. Ni  
CONTACT AREA : 0.1µm MIN. Au  
OVER 0.5µm MIN. Pd-Ni  
SOLDER AREA(TIN LEAD OPTION): 2.5µm MIN. Sn-Pb  
SOLDER AREA(LEAD FREE OPTION): 2.5µm MIN. PURE TIN
  - ⑤ SEQUENCE PIN ASSIGNMENT
- | PIN No. | DIM "L"  |         |          |
|---------|----------|---------|----------|
|         | 4.25±0.1 | 3.5±0.1 | 5.0±0.1  |
| OTHERS  | 36.67    | 1.17-34 | 35.51-88 |
- 6 GENERAL TOLERANCE : ±0.3
  - 7 IF LEAD FREE P/N THE HOUSING WILL WITHSTAND EXPOSURE TO 260°C PEAK TEMPERATURE  
SOLDER TAIL : SMT-IL, SMT-STG CAN RESIST 40 SECONDS IN A CONVECTION, INFRA-RED OR VAPOR PHASE REFLOW OVEN.  
SOLDER TAIL : R/A CAN RESIST 10 SECONDS IN A WAVE SOLDER APPLICATION WITH A 1.00MM MINIMUM THICK CIRCUIT BOARD.
  - 8 IF LEAD FREE P/N PACKAGING MEETS GS-14-920 SPECIFICATION

mat'l. code				tolerances unless otherwise specified		CUSTOMER COPY		 www.fciconnect.com			
ltr	ecn no	dr	date	linear	.X±.3	projection		title			
C					.XX±.13			68 POS. EJECTOR HEADER ASSY.		FOR LOW VOLTAGE	
					.XXX±.051			product family MCS		code	
				angles	0° ±2°	 MM	 scale	size			
				dr	S.DUESTERHOEFT			7/20/95	A4		
				enr	D.BRANN			7/20/95	95706		
				chr	D.BRANN			7/20/92	sheet 5 of		
				appd	D.BRANN	7/20/95	1:1				
sheet index	revision sheet										

All rights strictly reserved. Reproduction or issue to third parties in any form whatever is not permitted without written authority from the proprietor. Property of FCI. Copyright FCI.